

Title:

CLASSIFICATION OF
REACTION TO FIRE
PERFORMANCE
USING THE PRINCIPLES OF
EN 13501-1:2007 +A1:2009

Notified Body No:

0833

Product Name:

"Mechslip"

Report No:

WF 410145

Issue No:

2

Prepared for:

Ash & Lacy Solutions Ltd
Bromford Lane
West Bromwich
West Midlands
B70 7JJ

Date:

20th February 2019



1. Introduction

This classification report defines the indicated classification assigned to Mechslip, a brick faced rainscreen façade system, using the principles of EN 13501-1:2007+A1: 2009.

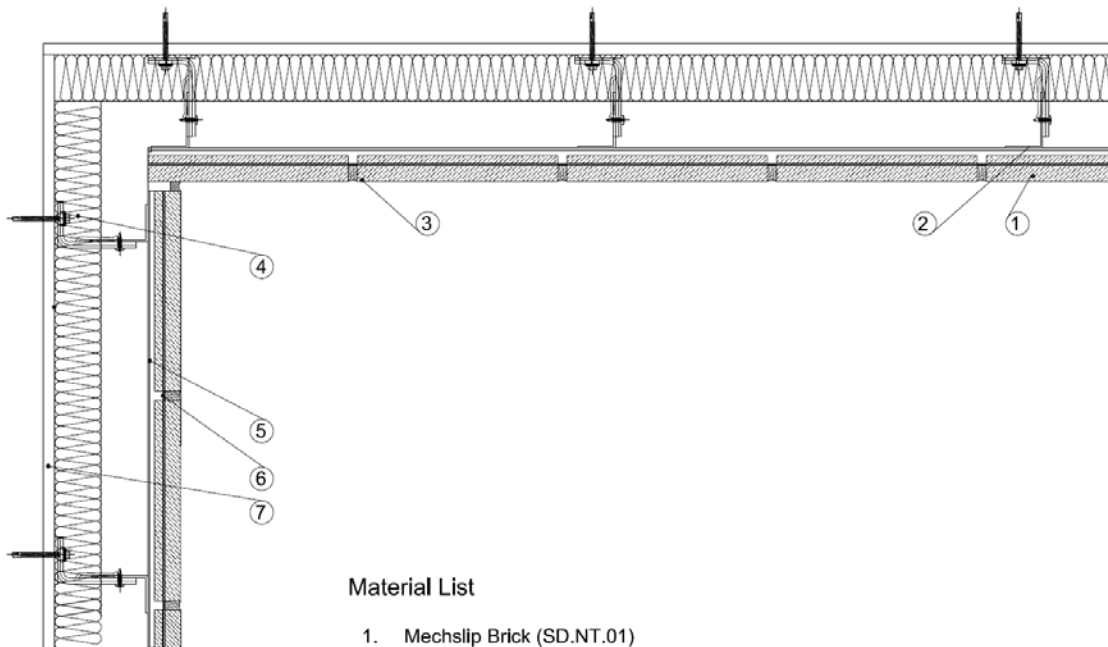
2. Details of classified product

2.1 General

The product, Mechslip, a brick faced rainscreen façade system, is defined as being suitable for construction applications.

2.2 Product description

The product, Mechslip, a brick faced rainscreen façade system, is described below.



Material List

1. Mechslip Brick (SD.NT.01)
2. AX1/2-Alum Bracket & Rail Or AXR1/2-Stainless Steel Bracket & Rail
3. Parex Historic Mortar
4. 50 mm Insulation (Fire Reaction A1)
5. Brick rail (6063T6 with Anodised Finish referred to Drawing No A42)
6. Brick Spacer (0.7 mm colorcoat LG referred to Drawing No A45)
7. Substrate (Fire Reaction A1)

Generic type		Brick faced rainscreen façade system,
Product reference		Mechslip
Name of manufacturer		Ash & Lacy Solutions Ltd
Thickness		Up to 400mm
Brick Slip Facing	Generic Type	Brick
	Reference	Mechslip Brick Slip
	Thickness	28 mm
Mounting system	System Ref	AX1/2, or AXR1/2
	Material	6063T6 alum racket and rail for AX1/2, and 316 stainless steel for AXR1/2
	Max cladding zone*	365 mm
Mortar between Bricks		Parex Historic Mortar (sand and cement mix)
Cavity	Depth	25 - 100mm
Insulation	Generic Type	Stone wool Mineral Wool
	Reference	Mineral wool of class A1
	Facing	With or without glass tissue or foil facing
	Thickness	≤ 340mm
	Binder Content	< 5%
	Density	19-220 kg/m ³
Brick rail	Generic	Steel or Aluminium with anodised finish
Substrate	Not included in report – should be A1	

Note 1: The sponsor has confirmed that no flame retardant additives were utilised in the Various elements of the system.

Note 2: This system does not include a vapour barrier or a breather membrane, since these components are not Class A1. If a vapour barrier is required guidance as to the required fire classification is given in Approved Document B

Note 3: The cavity should be closed at each floor slab using a cavity barrier in accordance with B3 of Approved Document B

3. Documentation in support of classification

Product (Component Part of External Wall System)	Reports and other Information
Brick Slip	Classified without further testing as A1 Commission Decision 96/603/EC, as amended 2000/605/EC
Mounting system	Stainless Steel or Aluminium- Classified without further testing as A1 Commission Decision 96/603/EC, as amended 2000/605/EC
Mortar between Bricks	Parex Declaration of Performance No. EA 002##v1 Against EN 998-2 Class A1
Cavity	Air only
Insulation	Class A1 LPCB certificate 022e and BSI certificate 0086-CPD-461281. Insulation should have a binder content of <5% and a density 19 to 220 kg/m ² .

3.2 Test results

Test method & test number	Parameter	No. tests	Results	
			Continuous parameter - mean (m)	Compliance parameters
EN ISO 1182	ΔT	5	<30	Compliant
	Δm		<50%	
	tr		No flaming	
EN ISO 1716	PCS (a), (e)	3	<2.0 MJ/kg	Compliant

4. Classification and field of application

4.1 Reference of classification

This classification has been carried out following the principles of EN 13501-1:2007+A1: 2009 based on products which form a façade system which individually are deemed to be Class A1 in accordance with Commission Decision 96/603/EC, as amended 2000/605/EC or that have been tested and certificated as having an A1 performance.

4.2 Classification

The product, "Mechslip", a brick faced rainscreen façade system, in relation to its reaction to fire behaviour is classified:

Reaction to fire classification: A1

4.3 Field of application

This classification is valid for the following end use applications:

- i) Construction applications

This classification is also valid for the following product parameters:

System thickness or depth	No variation from the described system allowed
Insulation thickness	≤ 340mm
Insulation Density	19 to 220 kg/m ³
Insulation Binder Content	<5%
Cavity Depth	≤ 100mm
System Composition	No variation allowed
Substrate	Class A1 only

SIGNED

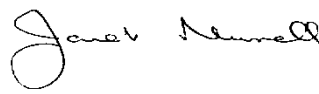


.....

Katherine Williams

Certification Engineer

APPROVED



.....

Janet Murrell

Technical Manager
on behalf of **Warringtonfire**

This copy has been produced from a .pdf format electronic file that has been provided by Warringtonfire to the sponsor of the report and must only be reproduced in full. Extracts or abridgements of reports must not be published without permission of Warringtonfire. The pdf copy supplied is the sole authentic version of this document. All pdf versions of this report bear authentic signatures of the responsible Warringtonfire staff.

All work and services carried out by Warringtonfire Testing and Certification Limited are subject to, and conducted in accordance with, the Standard Terms and Conditions of Warringtonfire Testing and Certification Limited, which are available at <https://www.element.com/terms/terms-and-conditions> or upon request.

Issue 2: 22nd February 2019